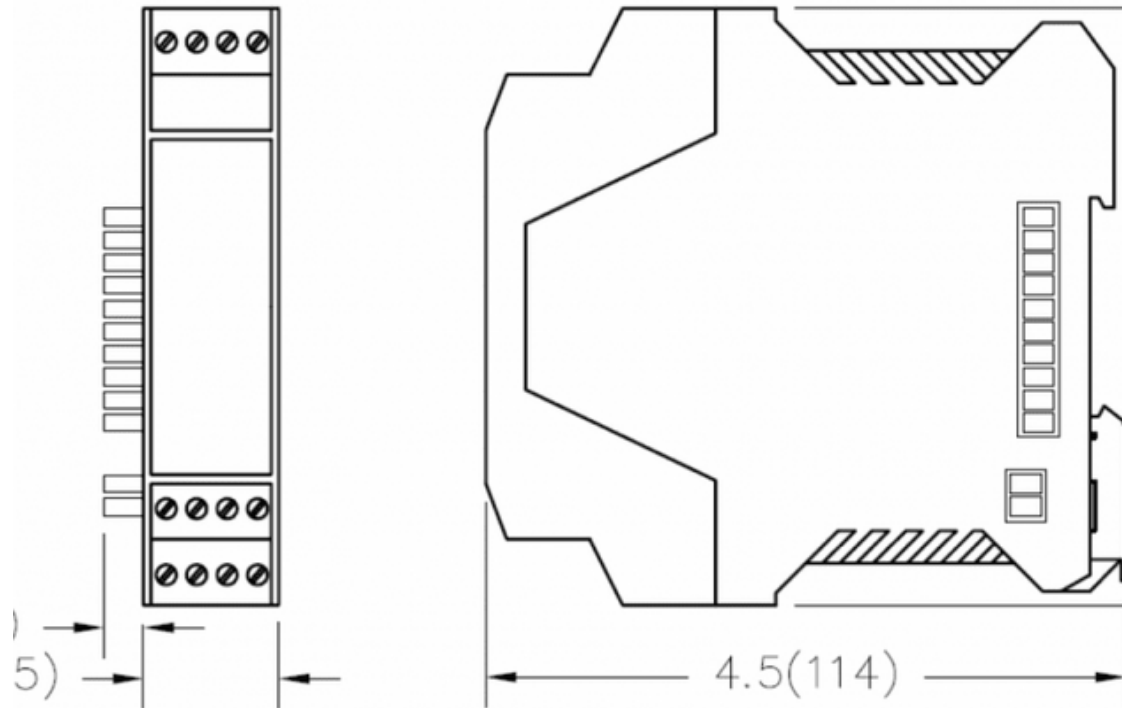


# 2T10 transmitter (Hi-power)



| Feature         | Description |
|-----------------|-------------|
| Analog signal   | 0-10Vdc     |
| Wavelength      | 850nm       |
| Optical mode    | Multi-mode  |
| Mating receiver | 2R07        |
| Fiber connector | SMA         |

| Feature                               | Description |
|---------------------------------------|-------------|
| Optical Dynamic Range Into 200/230µm  | 43dB        |
| Optical Dynamic Range Into 62.5/125µm | 31dB        |
| Optical Dynamic Range Into 9/125µm    | N/A         |
| Power supply                          | 2A56        |

## About Ultra Energy

Organizations working with nuclear and industrial technologies must deliver reliable production at the same time as safeguarding people, the environment and infrastructure. We develop and manufacture measurement and control solutions that give our customers complete, long-term control over systems operating in harsh environments, helping them operate safely and increasing the value derived from their investments over their total lifespan.

Part of Ultra Group, a global electronics company, Ultra Energy has worked with nuclear and industrial customers for over 60 years. We support customers across the world from facilities located in the US and UK. Our solutions are embedded in strategic national infrastructure and our people are active partners in customer programs that are focused on delivering advanced future nuclear and industrial capabilities.

## United States of America

707 Jeffrey Way  
Round Rock  
Texas 78665-2408  
USA

Tel: +1 512-434-2800

## United Kingdom

Innovation House  
Lancaster Road  
Ferndown Industrial Estate  
Wimborne  
Dorset BH21 7SQ  
UK

Tel: +44 (0) 1202 850 450

## For more information

Web: [ultra.energy](http://ultra.energy)

Email: [sales@ultra.energy](mailto:sales@ultra.energy)